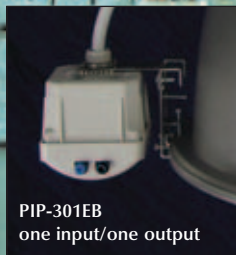
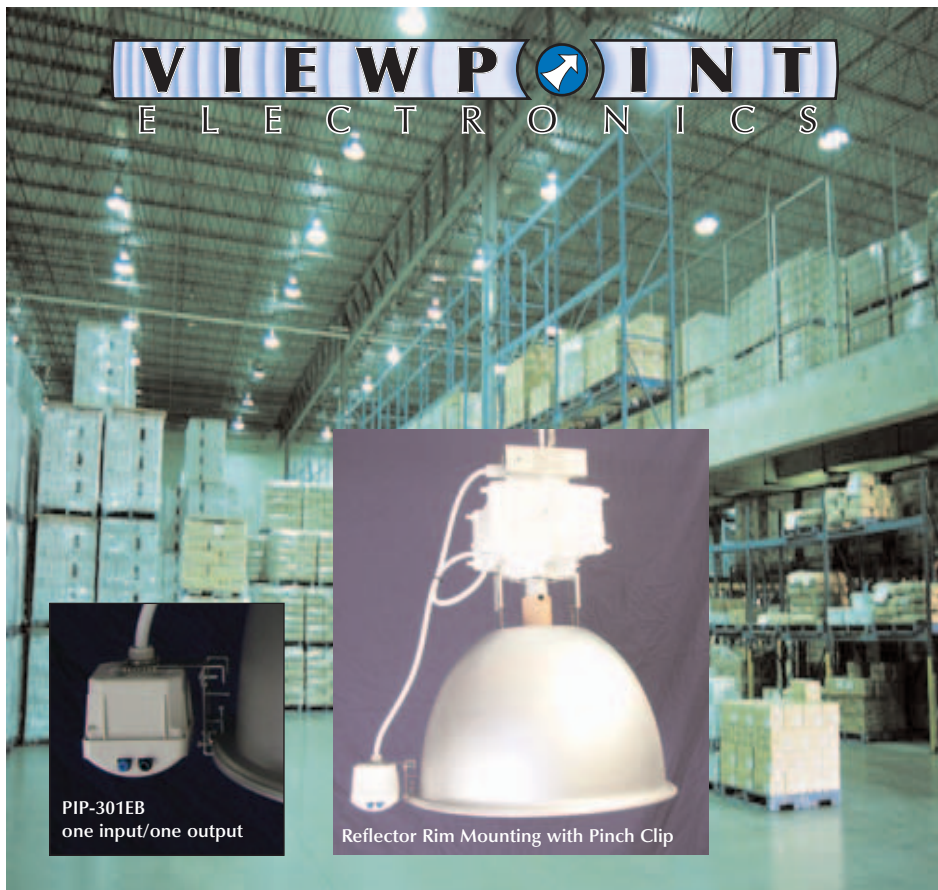


# PIP-300EB Series Motion Sensor for Electronic HID Ballast

- Step-dims electronic HID fixture to low power or full off based on aisle occupancy
- Compatible with HID electronic ballasts equipped with isolated dimming port
- Unitized construction: PIR sensor and switching relays in same enclosure
- User-adjustable 15 minute activity timer
- Turns fixture completely off after one hour of aisle inactivity
- Self-adjusting multi-volt operation: 208-480VAC/60 Hz without taps or wire jumpers
- Available with fiber optic networking for zone control and utility load management
- Interchangeable aisle- or area-sensing Fresnel lenses



## Occupancy-Based Step Dimming.

The PIP-300EB series infrared motion sensor step-dims a single HID fixture based on aisle occupancy. After a period of aisle inactivity the sensor will direct the electronic ballast to step-dim to its lowest wattage. The sensor can be configured to shut the ballast off after one hour of aisle of inactivity.

## Wide Ballast Compatibility.

The PIP-300EB is compatible with most electronic HID ballasts offering an isolated 0-10VDC dimming port. Contact factory or <http://www.viewpointelectronics.com> for current information on ballast compatibility.

## All-in-One Construction.

PIP-300EB series motion sensors feature a unitized injection-molded enclosure housing both the PIR sensing element and switching relays. The sensor attaches to the fixture's reflector with an adjustable pinch bracket. Alternatively, the sensor may be remote-mounted away from the fixture using 4-conductor cable.

## Plug 'n' Go Installation on Compatible Fixtures.

Dimming-ready electronic HID fixtures can be special-ordered from participat-

ing fixture manufacturers pre-wired with a PIP300EB-compatible wire harness and connector. Sensor installation on these plug 'n' go fixtures requires less than 30 seconds and a screwdriver.

## Universal Multi-Volt Operation.

Forget the stocking problems and field installation headaches associated with line voltage compatibility! This sensor works with fixtures rated 208-480VAC (including all voltages in between) without transformer taps or jumpers.

## Self Diagnostic Features.

The sensor contains an LED lamp that blinks four diagnostic patterns to assist with installation and debugging:

<u>Pattern</u>	<u>Motion Observed?</u>	<u>Ballast State</u>
Single blink fast	No	Ballast off
Single blink slow	No	Lowest wattage
Double blink	No	Highest wattage
Triple blink	Yes	Highest wattage

A manual test switch on the sensor permits an installer to toggle the relays and confirm proper operation of the electronic ballast.

## Soft Configuration Features.

For maximum energy savings all fixtures in a work space can be configured to turn off after one hour of aisle

inactivity. However, in a windowless area it may be necessary to selectively disable the ballast shutdown feature on some fixtures in order to provide night-light safety illumination. The PIP-300EB sensor contains non-volatile set-up memory. The full-off feature can be disabled by the installer using the manual test switch. The diagnostic LED on the sensor confirms the configuration.

Soft configuration of the sensor reduces stocking requirements for maintenance departments and fixture suppliers.

## Optional Fiber Optic Networking.

PIP-300EB series motion sensors can be ordered with optional fiber optic ports that enable zone control within warehouse aisles and utility demand side management. Fiber optic enabled sensors are compatible with PSP-300EB series switch packs manufactured by Viewpoint. Switch packs are less expensive than full motion sensors. Switch packs mount directly to the ballast housing and don't require downward aiming during installation. Switch packs have lower off-centered weight and cause less tilting of fixtures mounted on swivel hooks.

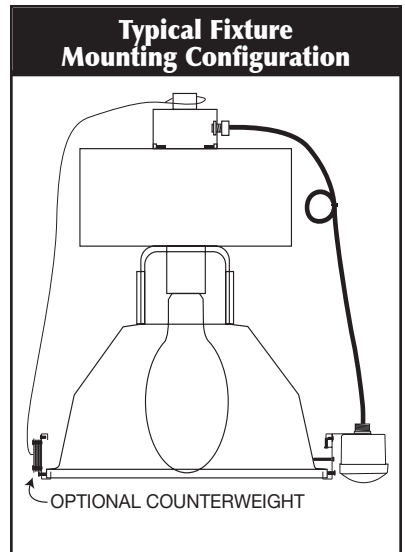
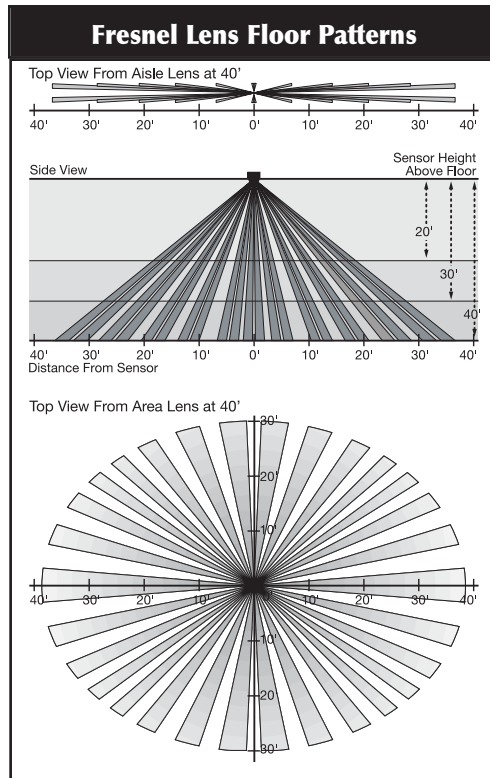
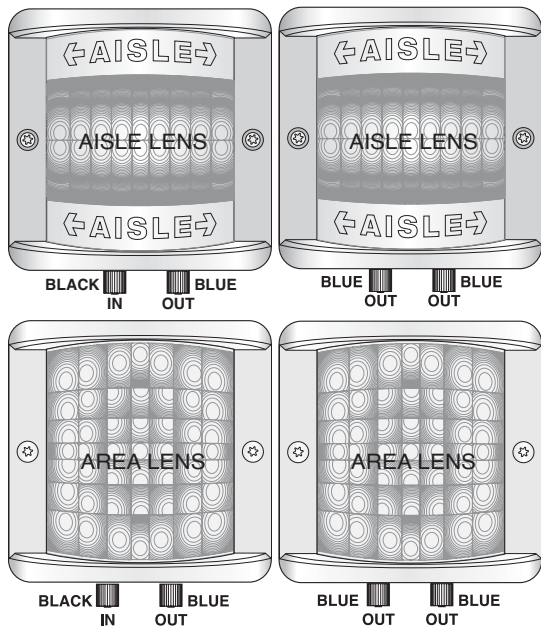
# VIEWPOINT

## ELECTRONICS

7015 Corporate Circle • Indianapolis, Indiana 46278 • www.viewpointelectronics.com • 317.590.0700 • 800.898.7139 • Fax 714.751.8135

### SPECIFICATIONS

HID Ballast Compatibility	Electronic ballast with 0-10VDC dimming port (consult factory for details)
Compatible with Magnetic Ballasts?	No (refer to Model PIP-200 series for magnetic ballast)
Ballast Shutdown Switching Method	Relay-switched AC Mains
Shutdown Relay Current Rating	3 amperes RMS maximum
Maximum Fixture Wattage	450 watts
AC Line Voltage (white and black wires)	208/240/277/347/480VAC
Sensor Power Consumption	3 watts maximum
Usable PIR range (@25° C)	45 feet on axis
Available Fresnel Lens Patterns	Aisle (PIP-30xEB) or Area (PIP-31xEB)
Ambient Temperature Range	0-50° C non-condensing
Observed Motion ON time	0-15 minutes (user adjustable)
Ballast Shutdown Time After Inactivity	1 hour (not adjustable)
Installation Assists	Magnetic Test Switch and Blinking LED
Mounting Options	1/2" NPT nipple or adjustable pinch bracket
Wire Harness	4 Conductor 18AWG stranded copper STOW
Wire Harness Length	36 inches
Harness Termination	Bare wire leads or plug 'n' go connector
Off-center Weight	10 ounces without optional counterweight
Dimensions (including mounting nipple)	3.25" x 3.25" x 3.25"
Environmental Compatibility	Indoor Damp Location
UL File Number	Category FNFT File No. E234927



Viewpoint products are represented by:

